



# Leyard LN Series

## Indoor & Outdoor Rental LED Display

Leyard® LN Series is a versatile, efficient and flexible rental LED display solution. Its user-friendly modular design and lightweight structure make it quick and easy to assemble and dismantle for exhibitions, concerts, conferences, sporting events and more. The LED cabinets can be adjusted at  $-10^{\circ}$  to  $10^{\circ}$  angles to form convex or concave LED video walls that can be hung or stacked, making it a great option for any temporary indoor event or occasion. Curved and double-tall models are available for increased application versatility.



**Edge Protection Design**  
Preventing collisions or damage during installation or transportation



**Lightweight and Portable**  
Ease of handling and quick setup, adaptable for various events



**Positioning Arc Lock**  
Curvable  $-10^{\circ}$  to  $10^{\circ}$  adjustable design



**Easy Maintenance**  
Cabinet 100% rear maintenance



**Outdoor Waterproof**  
Durable for outdoor use, maintains clear visibility

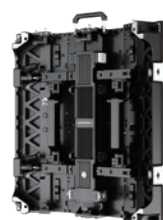


**2-Year Warranty**  
Leyard LED Standard Limited Warranty

- 1.9, 2.6, 2.9, 3.9 & 4.8mm pixel pitches
- Lightweight & portable design
- Curvable  $-10^{\circ}$  to  $10^{\circ}$  adjustable design
- Waterproof for outdoor use



LN-R 45° Cut-corner



LN-C S-shaped Design



LN General Cabinet

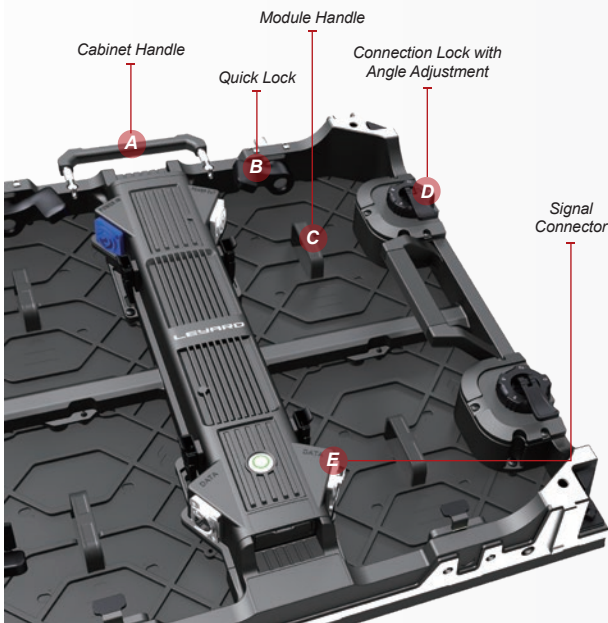
## Flexibility and Convenience

### Calming Appearance, Easy to Use

Leyard LN Series rental LED displays have a modular and lightweight structure, making them easy to install and dismantle. They also have a user-friendly design, easy maintenance and quick setup. This convenient structure allows for easy transport and setup for various events and occasions.

The **Quick Lock** for Leyard LN Series cabinets is designed to provide a convenient and efficient way to assemble and disassemble the cabinets. It allows users to quickly and securely lock the cabinets together without the need for any tools or special skills.

The **Angle Adjustment Lock** allows the cabinets to be adjusted to different angles, creating a curved display surface that can be customized to fit the specific requirements of the event.



### High Quality Die-casting aluminum

High-quality die-cast aluminum cabinets for LED displays are durable, lightweight, and easy to install. They also offer excellent heat dissipation and protection against moisture and dust, ensuring the longevity and performance of the LED display.



### Special Protective Design

- > Special protective design can prevent LED damage caused by unexpected impact.
- > Multi-function locks which support self-locking, connection, and precise gap minimization make seamless splicing easy.

### Lightweight and Portable

The displays are lightweight and designed for portability, making them easy to transport and set up.

### Seamless Design

The displays are designed to be seamlessly connected, creating a larger and more immersive video wall.

### Wide Viewing Angle

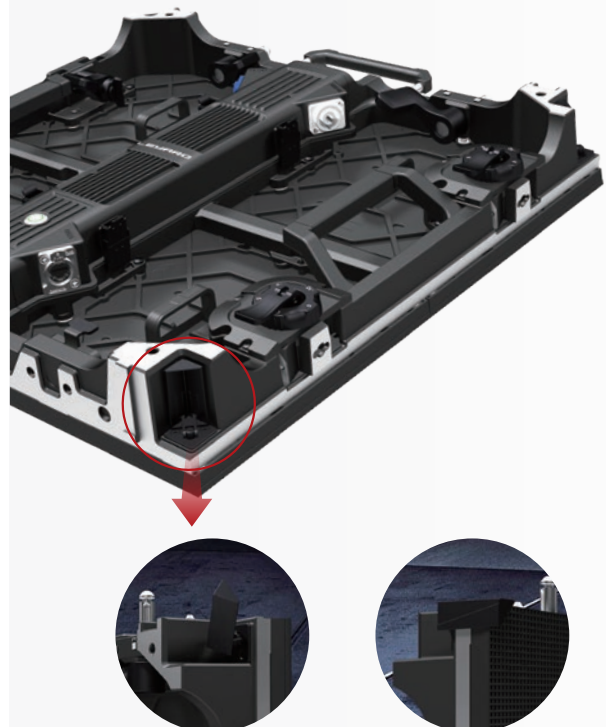
The displays have a wide viewing angle, so content can be seen clearly from different angles and distances.

### Display Versatility

The displays support multiple splicing such as straight, arc, right angled, and curved. This flexibility allows for unique and creative installations, perfectly tailored to enhance any space.

### Edge Protection Design

Corner protectors around the LED enclosure defend against collisions or damage during installation or transportation, extending the lifespan of the LED video wall.

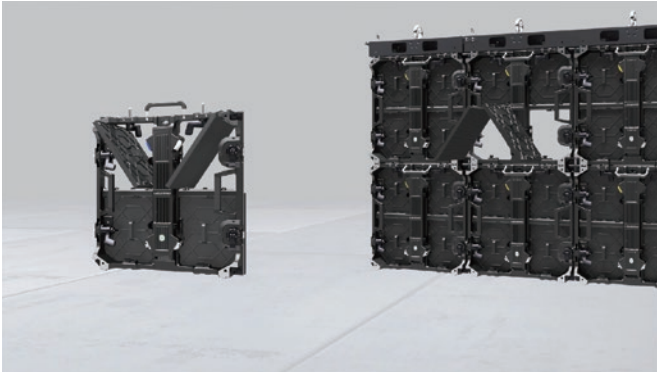




### **Cabinet 100% Rear Maintenance**

---

For rental LED display cabinets, it is important to have LED display modules and power supplies that can be easily disassembled and assembled to ensure efficient setup and teardown.



### **LED Modules Support Front Maintenance**

---

Using a specially-designed maintenance tool, an installer can quickly replace the module from the front, greatly saving labor and time costs. (Limited to indoor version only)



### **Supports Installation with a Combination of Two Different Cabinet Sizes**

---

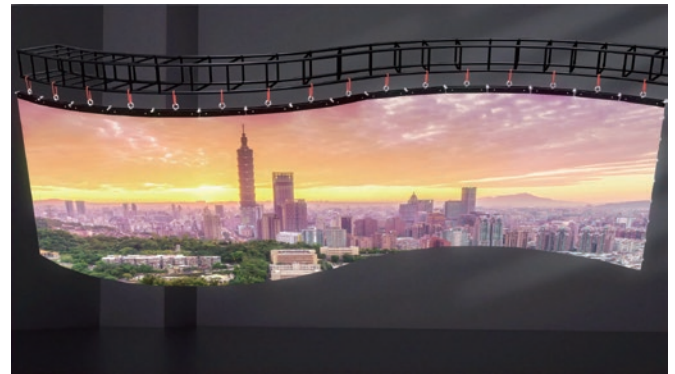
The Leyard LN Series offers two different cabinet heights (500mm, 1000mm) to choose from, which can be freely mixed and matched using connecting plates for flexible and quick installation.



### **Curvable Design, -10° to 10° Can be Adjusted**

---

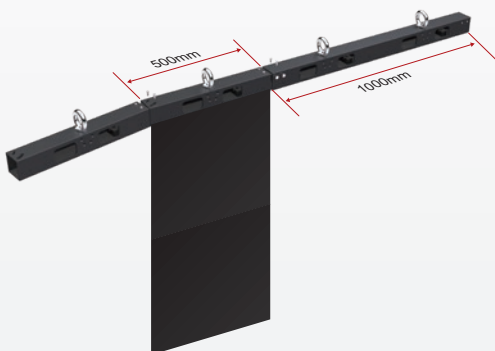
The curved angle adjustment feature allows the LED cabinets to be adjusted to different angles, creating a curved LED display surface that can be customized to fit the specific requirements of the event.



### **Hanging Mounting**

---

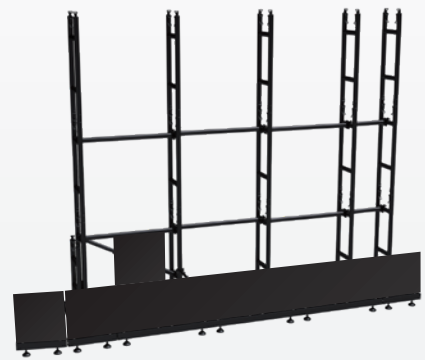
A hanging beam can be used to provide a stable support structure. It can be adjusted to fit the size and weight of the LED display.



### **Standing Mounting**

---

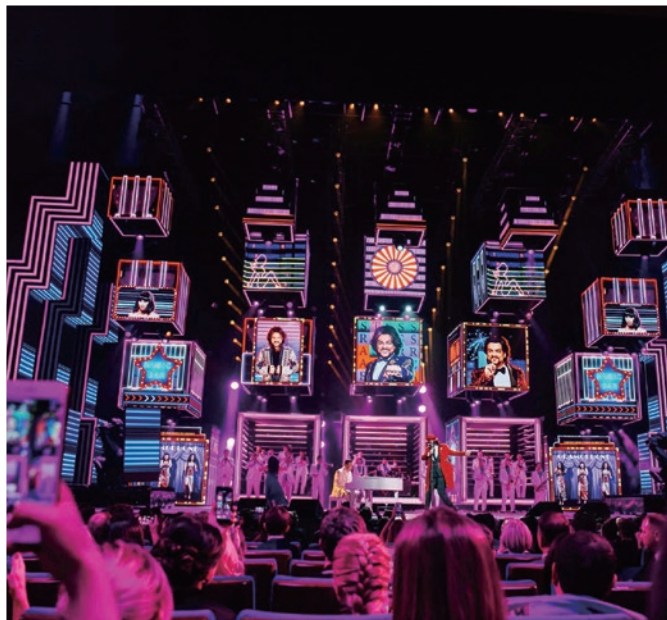
The LED display cabinet can be mounted on a stable base structure, which can be adjusted to the desired height and angle.



## LN-R

### **45-degree Beveled Cabinet** **Designed Specifically for Creative Displays**

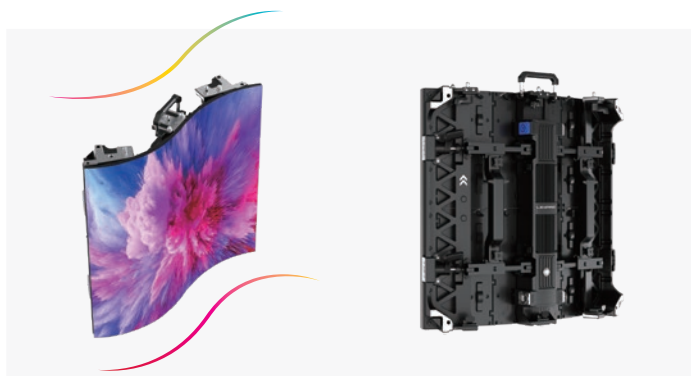
The Leyard LN-R Series rental LED display cabinet allows the screen body to be easily combined into right angles, cubes, and other polygonal structures, providing more creative space for stages and exhibitions. This design increases the splicing flexibility of the video wall, making the layout more diverse and adaptable to the decorative needs of different venues. It also brings a more unique and stunning visual experience to the audience, especially suitable for high-end events and brand displays, enhancing the event's grade and viewing value.



## LN-C

### **Efficient S-shaped Design** **A Single Cabinet can Achieve a Perfect S-shape**

The Leyard LN-C Series curve LED display cabinet's S-shaped design has a unique curved display capability, which can realize creative video walls such as wave and cylindrical shapes, adding dynamism and a three-dimensional effect to the display. This design enhances visual impact and artistic beauty and captures the attention of the audience, increasing the appeal of advertisements or displayed content. The modular design of the S-shaped cabinet also facilitates quick installation and disassembly, adapting to various temporary display and event needs.



# Specifications

Item	LN1.9	LN2.6	LN2.9	LN3.9	LN2.9S	LN3.9S	LN4.8S
Pixel Pitch	1.953mm	2.604mm	2.976mm	3.906mm	2.976mm	3.906mm	4.808mm
Module Dimension (WxH)	250x250mm   9.84"x9.84"						
Module Composition (WxH)	2x2		2x4	2x2	2x4	2x2	2x4
Cabinet Resolution (WxH)	256x256	192x192	168x168	168x336	128x128	128x256	168x168
Cabinet Dimension (WxHxD)	500x500x79		500x1000x79mm   19.69"x39.37"x3.11"	500x500x79mm   19.69"x19.69"x3.11"	500x1000x79mm   19.69"x39.37"x3.11"	500x500x79mm   19.69"x19.69"x3.11"	500x1000x79mm   19.69"x39.37"x3.11"
Cabinet Weight	7.5kg   16.53lb		13.5kg   29.76lb	7.5kg   16.53lb	13.5kg   29.76lb	7.5kg   16.53lb	13.5kg   29.76lb
Brightness	1000nits			4000nits			
Color Temperature	3000~10000K Adjustable						
Viewing Angle (H / V)	160° / 140°						
Contrast Ratio	5000:1						
Max Power Consumption	600W/m <sup>2</sup>						
Avg Power Consumption	200W/m <sup>2</sup>						
Input Voltage	AC100~240V (50/60Hz)						
Frame Rate	50&60Hz						
Grayscale Level	16bit						
Refresh Rate	3840Hz	7680Hz					
IP Level (Front/Rear)	IP50				IP65		
Certification	FCC, CB, cTUVus, CE, IC, ROHS, WEEE, REACH						

Item	LN1.9-R	LN2.6-R	LN2.9-R	LN3.9-R	LN2.9S-R	LN3.9S-R	LN4.8S-R
Pixel Pitch	1.953mm	2.604mm	2.976mm	3.906mm	2.976mm	3.906mm	4.808mm
Module Dimension (WxH)	250x250mm   9.84"x9.84"						
Module Composition (WxH)	2x2						
Cabinet Resolution (WxH)	256x256	192x192	168x168	128x128	168x168	128x128	104x104
Cabinet Dimension (WxHxD)	500x500x79mm   19.69"x19.69"x3.11"						
Cabinet Weight	6.5kg   14.33lb						
Brightness	1000nits	1000nits	1000nits	1000nits	4000nits	4000nits	4000nits
Color Temperature	3000~10000K Adjustable						
Viewing Angle (H / V)	160° / 140°						
Contrast Ratio	5000:1						
Max Power Consumption	600W/m <sup>2</sup>						
Avg Power Consumption	200W/m <sup>2</sup>						
Input Voltage	AC100~240V (50/60Hz)						
Frame Rate	50&60Hz						
Grayscale Level	16bit						
Refresh Rate	3840Hz	7680Hz					
IP Level (Front/Rear)	IP50				IP65		
Certification	FCC, CB, cTUVus, CE, IC, ROHS, WEEE, REACH						

Item	LN1.9-C	LN2.6-C	LN2.9-C	LN3.9-C
Pixel Pitch	1.953mm	2.604mm	2.976mm	4.808mm
Module Dimension (WxH)	500x250mm   19.69"x9.84"			
Module Composition (WxH)	1x2			
Cabinet Resolution (WxH)	256x256	192x192	176x168	128x128
Cabinet Dimension (WxHxD)	500x500x79mm   19.69"x19.69"x3.11"			
Cabinet Weight	8kg   17.64lb			
Brightness	1000nits			
Color Temperature	3000~10000K Adjustable			
Viewing Angle (H / V)	160° / 140°			
Contrast Ratio	5000:1			
Max Power Consumption	600W/m <sup>2</sup>			
Avg Power Consumption	200W/m <sup>2</sup>			
Input Voltage	AC100~240V (50/60Hz)			
Frame Rate	50&60Hz			
Grayscale Level	16bit			
Refresh Rate	3840Hz	7680Hz		
IP Level (Front/Rear)	IP50			
Certification	FCC, CB, cTUVus, CE, IC, ROHS, WEEE, REACH			