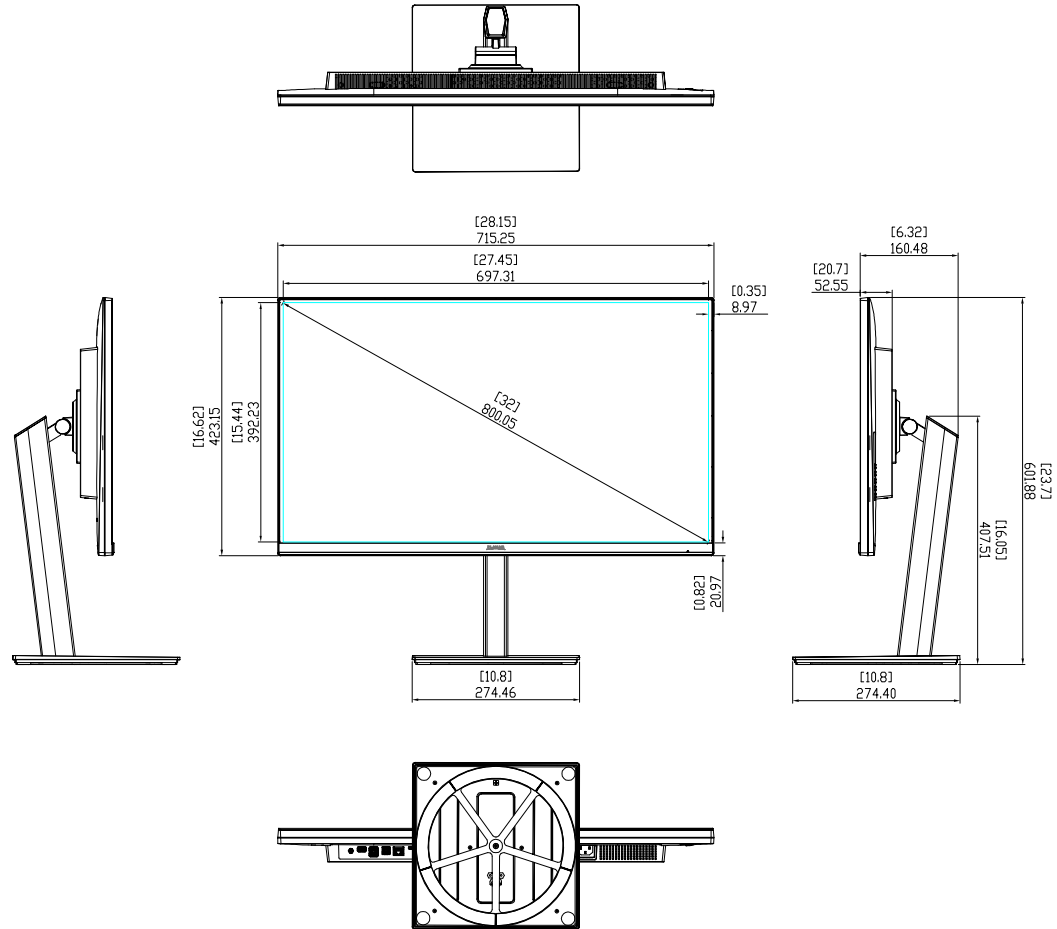
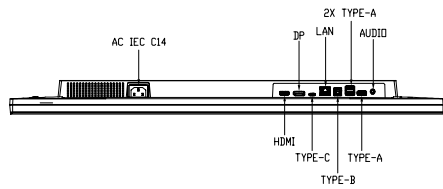
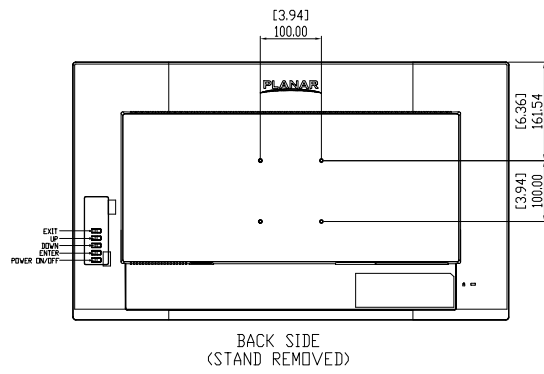


REVISION HISTORY

ECO	ZONE	REV.	DESCRIPTION	DATE	APPR'D



1. SPECIFICATIONS SUBJECT TO CHANGE WITHOUT NOTICE
NOTES: UNLESS OTHERWISE SPECIFIED.

UNLESS OTHERWISE SPECIFIED, DIMENSIONS ARE IN MILLIMETERS (INCHES)		DRAWN BY		 <small>PLANAR SYSTEMS, INC. 1195 NE COMPTON DRIVE HILLSBORO, OR 97106 USA</small>
TOLERANCES:		CHECKED BY		
X= ±1	XX= ±25	USED IN		TITLE
X= ±S	Ø = ±1"	MATERIAL		PZN3210U
DIMENSIONS AND TOLERANCING PER ASME Y14.5M		FINISH		SIZE
THIRD ANGLE PROJECTION				PART NO. 998-2549-00
				DRAWING NO. 998-2549-00
				REV. A
SCALE 1/4	DO NOT SCALE	SHEET 1	OF 1	

THIS DRAWING CONTAINS INFORMATION PROPRIETARY TO PLANAR SYSTEMS, INC. ANY REPRODUCTION IN PART OR WHOLE WITHOUT THE WRITTEN PERMISSION OF PLANAR SYSTEMS, INC. IS PROHIBITED. THIS DRAWING IS SUPPLIED FOR INFORMATION, IDENTIFICATION, REPRODUCTION, EVALUATION AND/OR REVISION PURPOSES ONLY AND MAY NOT BE USED AS BASIS FOR THE MANUFACTURING OF PRODUCTS OR THE FURNISHING OF SERVICES TO PLANAR SYSTEMS OR TO ANY THIRD PARTY UNLESS AUTHORIZED IN WRITING BY PLANAR SYSTEMS, INC.