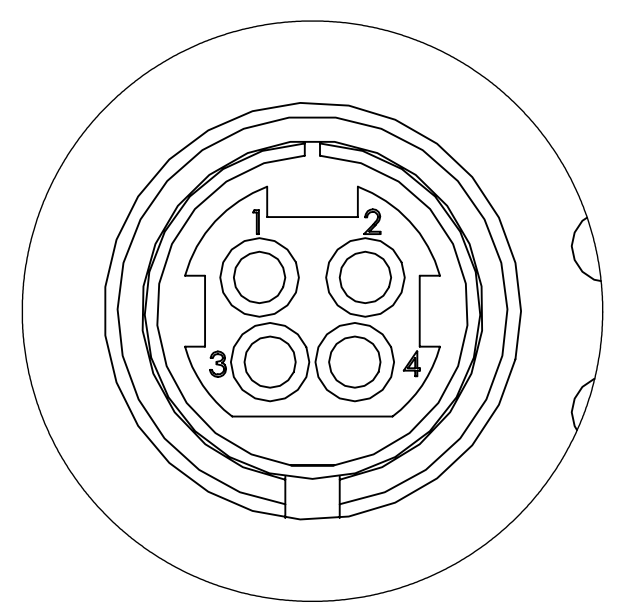
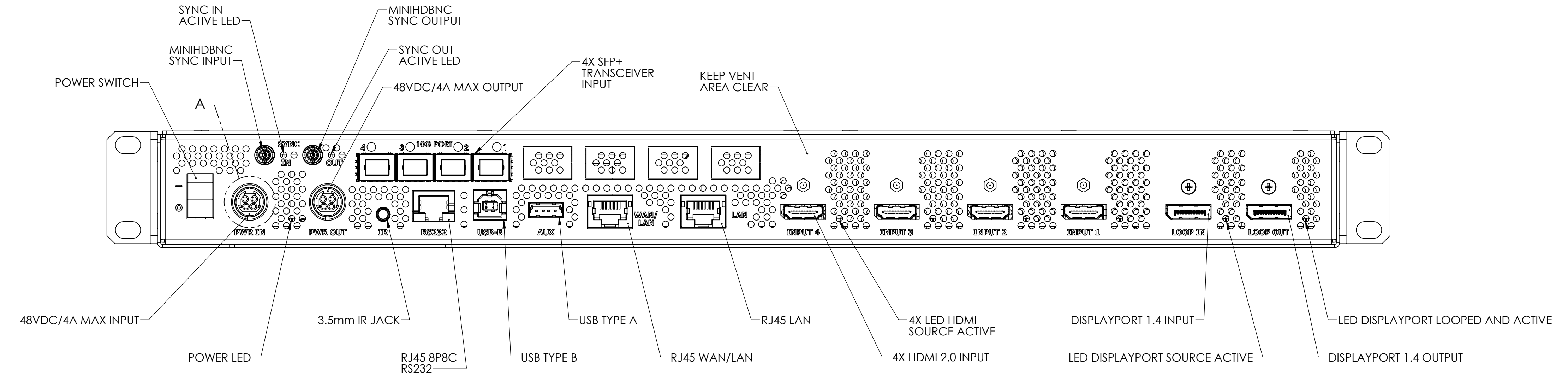
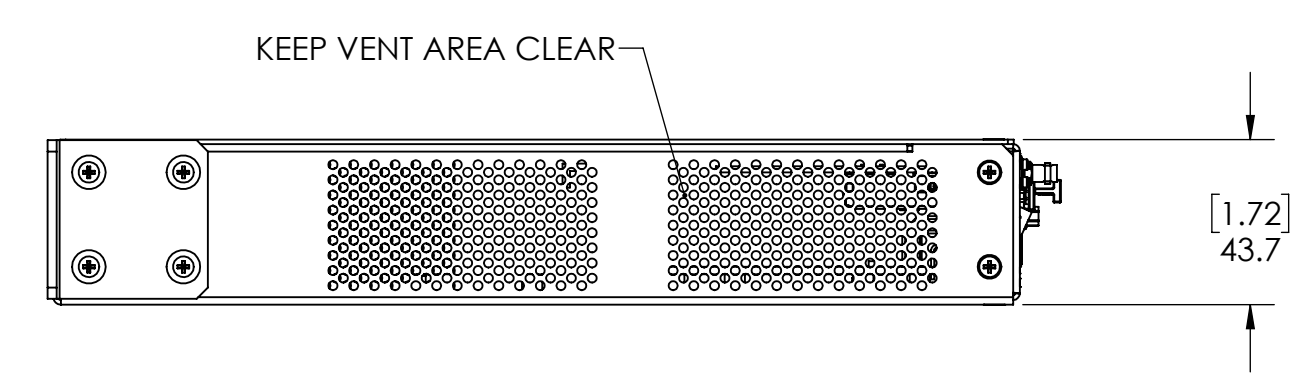
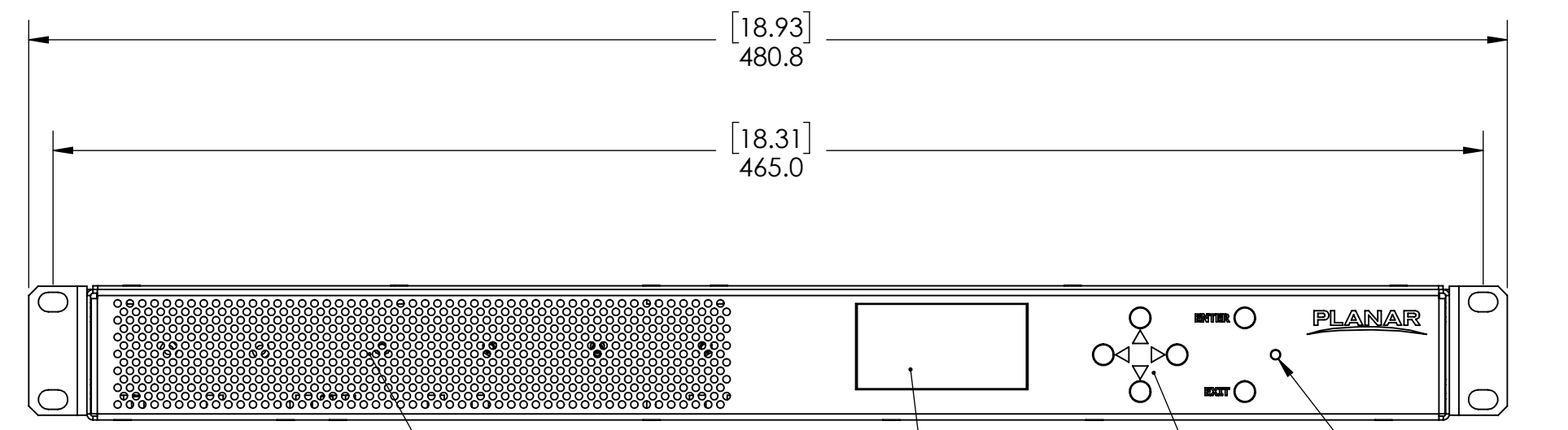
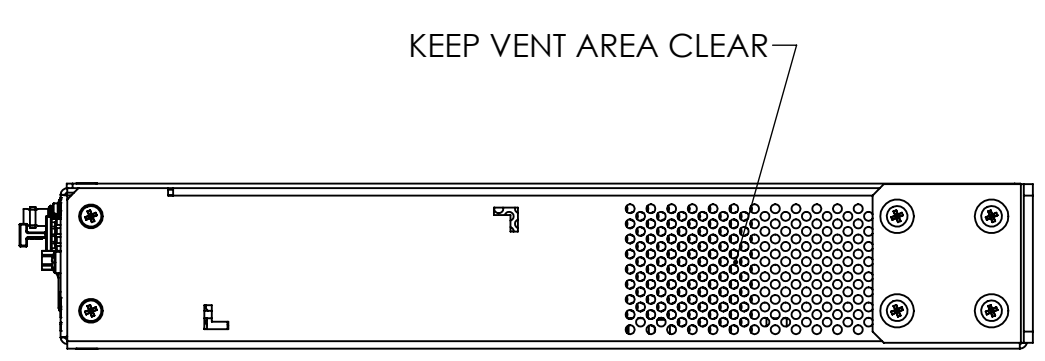
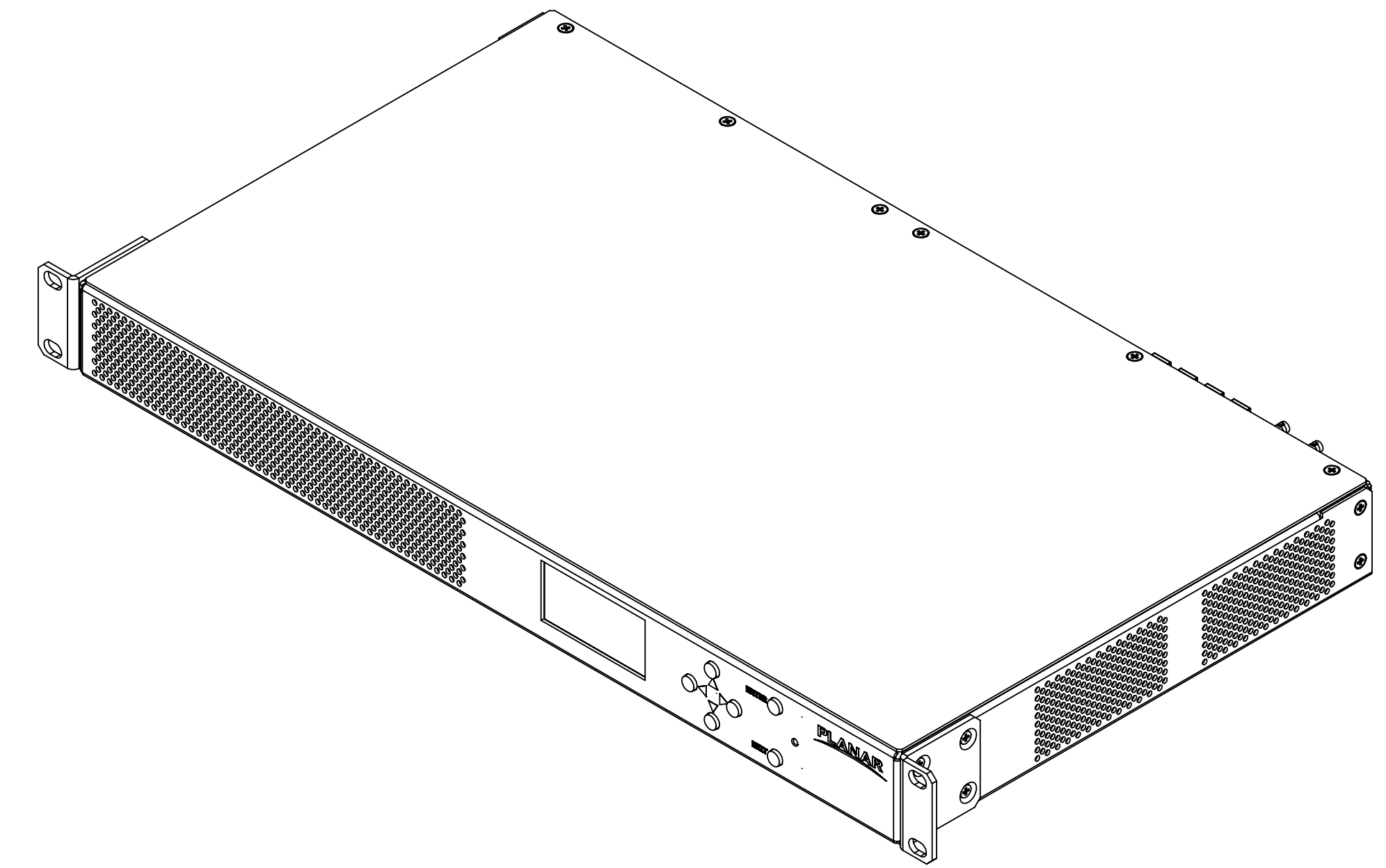
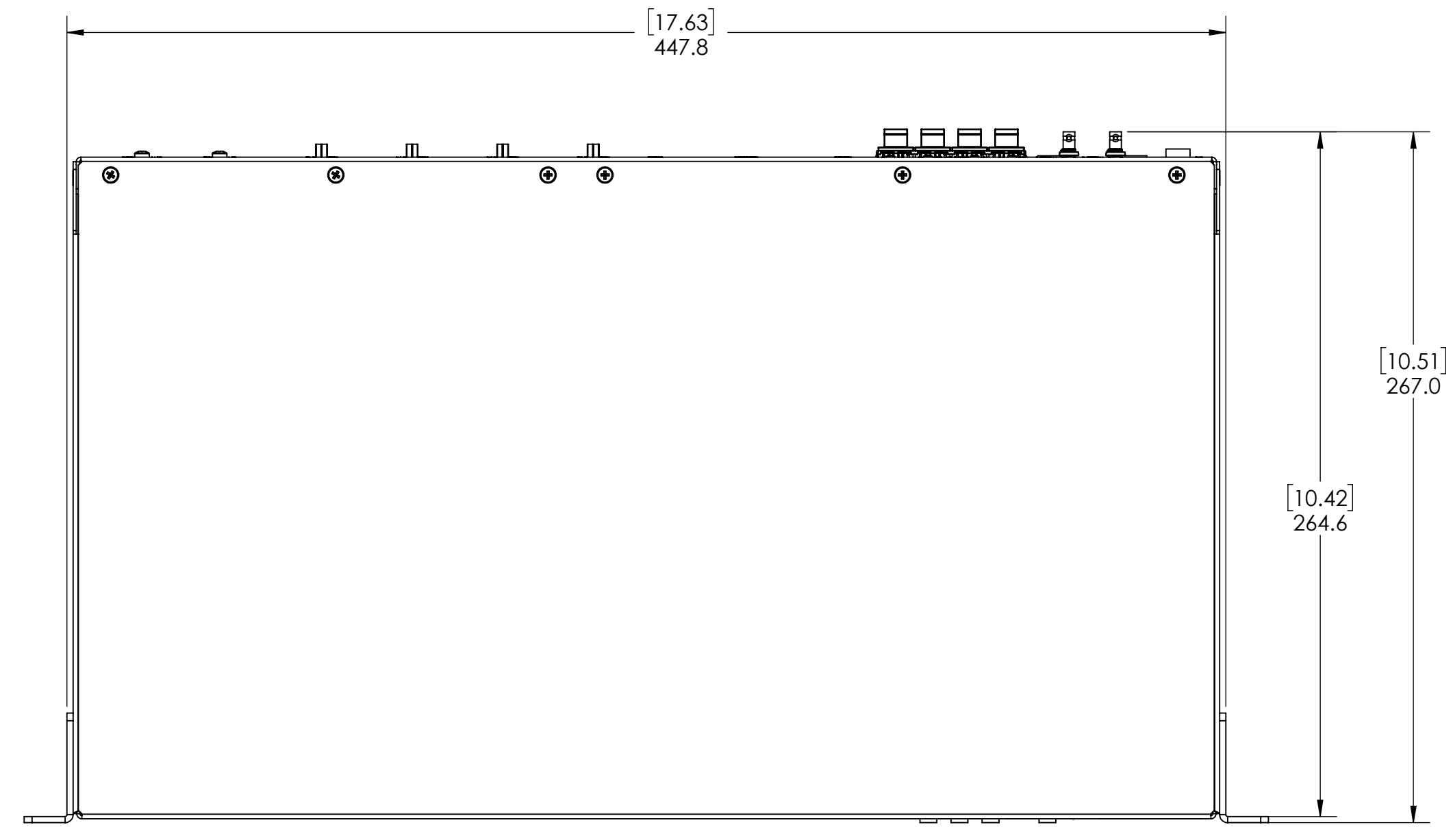


REVISION HISTORY					
ECO	ZONE	REV.	DESCRIPTION	DATE	APPR'D



DETAIL A
SCALE 4 : 1



2. 4-PIN MINIDIN POWER 48V/4A MAX
PINS 1 AND 2 ARE + (POSITIVE); PINS 3 AND 4 ARE - (GROUND).
1. SPECIFICATIONS SUBJECT TO CHANGE WITHOUT NOTICE.
NOTES: UNLESS OTHERWISE SPECIFIED.

UNLESS OTHERWISE SPECIFIED DIMENSIONS ARE IN MILLIMETERS (INCHES)		ENGR BY	12 Dec 20	 PLANAR SYSTEMS, INC. 1195 NE COMPTON DRIVE HILLSBORO, OR 97006 USA
TOLERANCES:		DRAWN BY	EJS	
X= ±1	XX= ±.25	CHECKED BY		VIDEO CONTROLLER, HDMI/DP LOOP, 4 10G FIBER OUT
.X= ±.5	∠= ±1°	USED ON		
DIMENSIONING AND TOLERANCING PER ASME Y14.5M-1994		MATERIAL		SIZE PART NO DRAWING NO REV
THIRD ANGLE PROJECTION		FINISH		D VC4-L-F VC4-L-F Outline A
SCALE 1:2		DO NOT SCALE		SHEET 1 OF 1

THIS DRAWING CONTAINS INFORMATION PROPRIETARY TO PLANAR SYSTEMS, INC. ANY REPRODUCTION IN PART OR WHOLE WITHOUT THE WRITTEN PERMISSION OF PLANAR SYSTEMS IS PROHIBITED. THIS DRAWING IS SUPPLIED FOR INFORMATION, IDENTIFICATION, ENGINEERING, EVALUATION, AND/OR INSPECTION PURPOSES ONLY AND MAY NOT BE USED AS BASIS FOR THE MANUFACTURING OF PRODUCTS OR THE FURNISHING OF SERVICES TO PLANAR SYSTEMS OR TO ANY THIRD PARTY UNLESS AUTHORIZED IN WRITING BY PLANAR SYSTEMS.